



LIGHT BOX

BRAND CHAIN INDOOR LIGHT BOX SOLUTION

LED SLIM GLASS DRAWING LIGHT BOX

Brand Terminal Display System Service Provider



CATALOG

Careful, meticulous and attentive,
the quality is always assured.

01



Wall mounted

- 001 Application display
- 002 Product display
- ① product mix
- ② Installation method
- ③ Change painting method
(Standard size)

02



Bar table

- 001 Application display
- 002 Product display
- ① product mix
- ② Installation method
- ③ Change painting method
(Standard size)

03



Floor standing

- 001 Application display
- 002 Product display
- ① product mix
- ② Installation method
- ③ Change painting method
(Standard size)

04

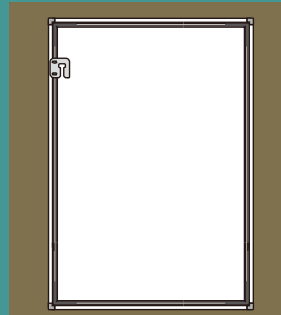


Standard size parameters

- 001 Big box packing parameters
- 002 Independent packaging parameters

01

Wall mounted



001 Application display

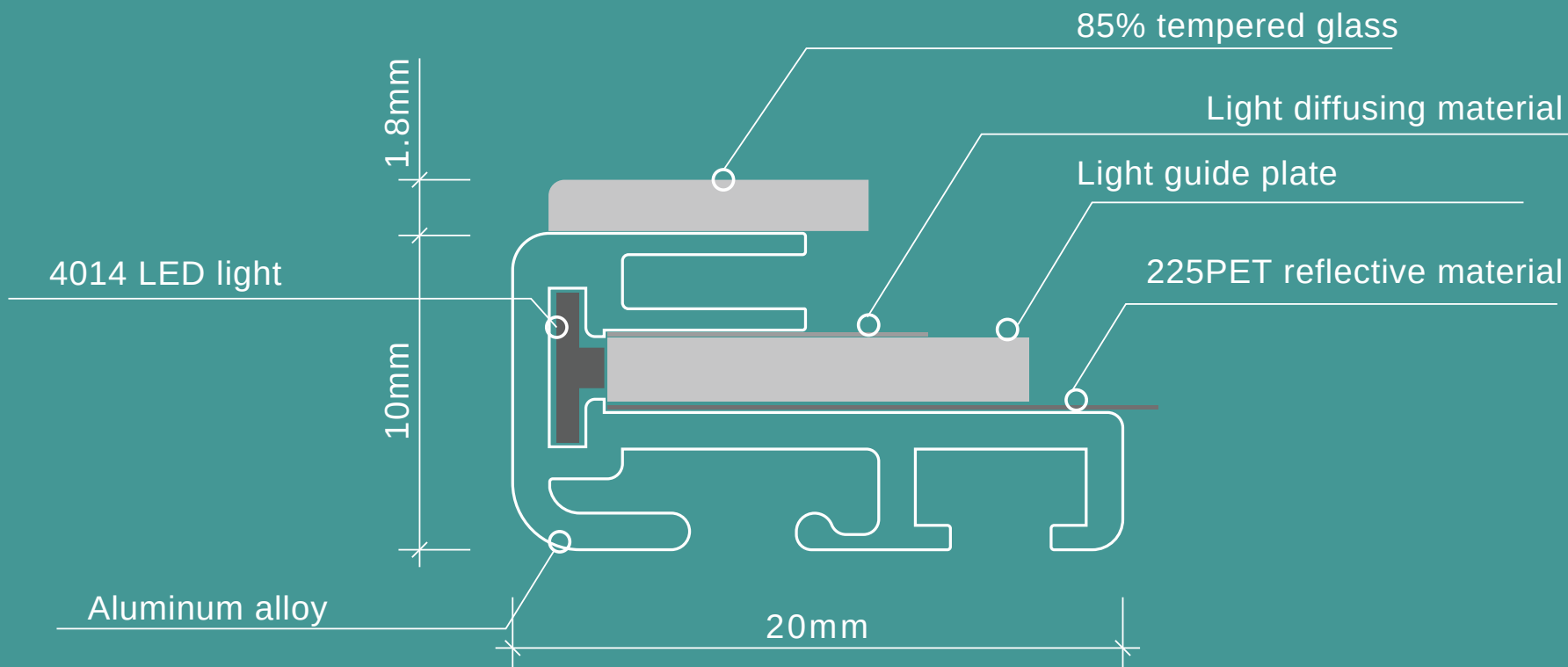
Wall mounted drawing light box



002 Product display

① Product structure

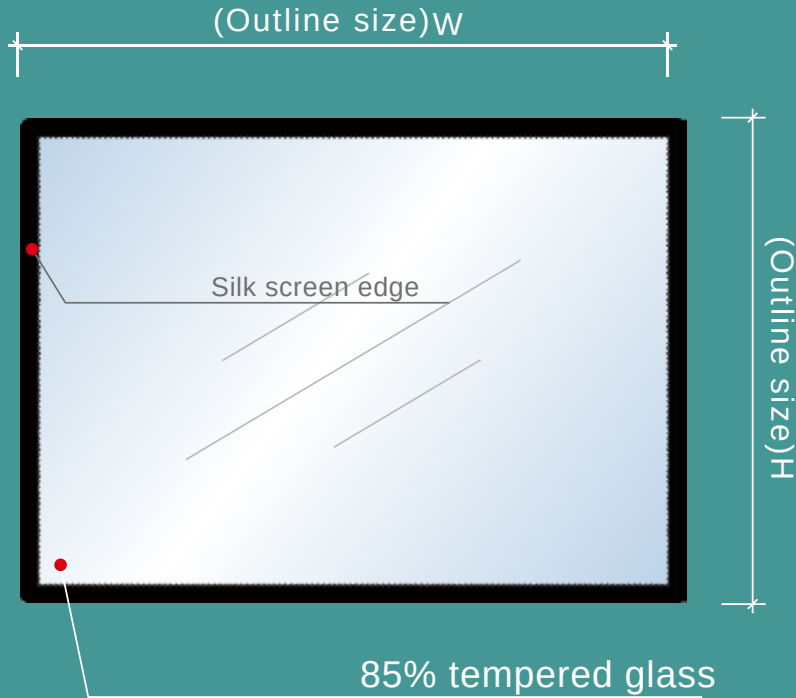
Wall mounted drawing light box



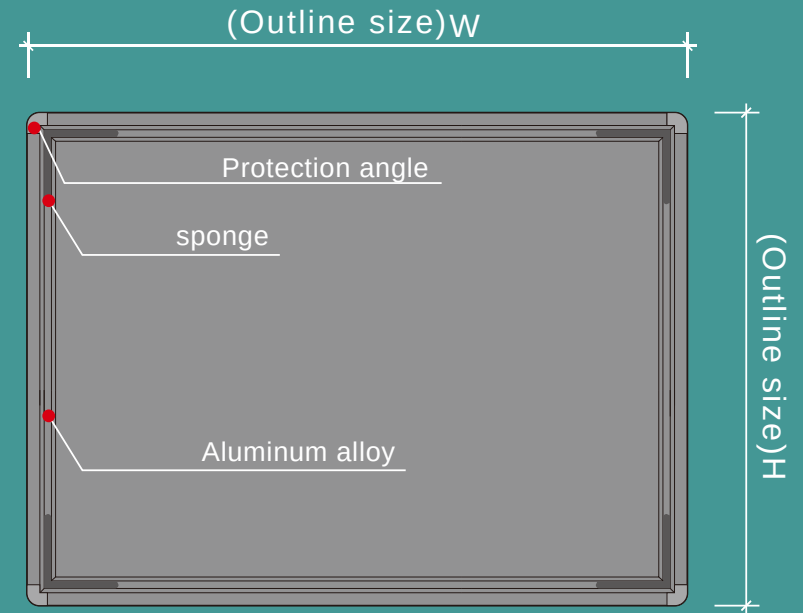
002 Product display

① Product structure

Wall mounted drawing light box



Positive display

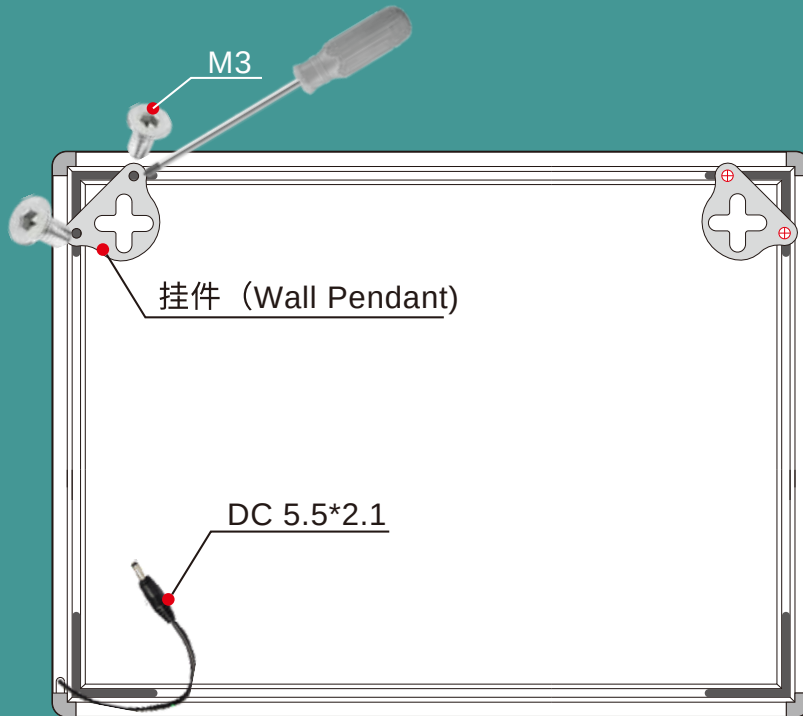


Back display

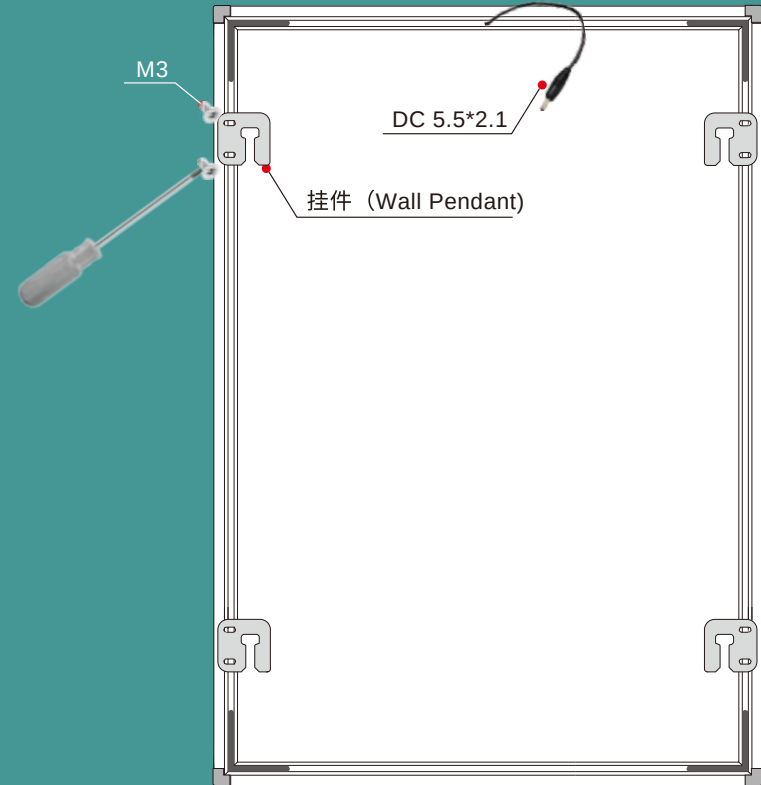
002 Product display

② Installation method

Wall mounted drawing light box



Standard size: A4、A3、A2、500mm*700mm

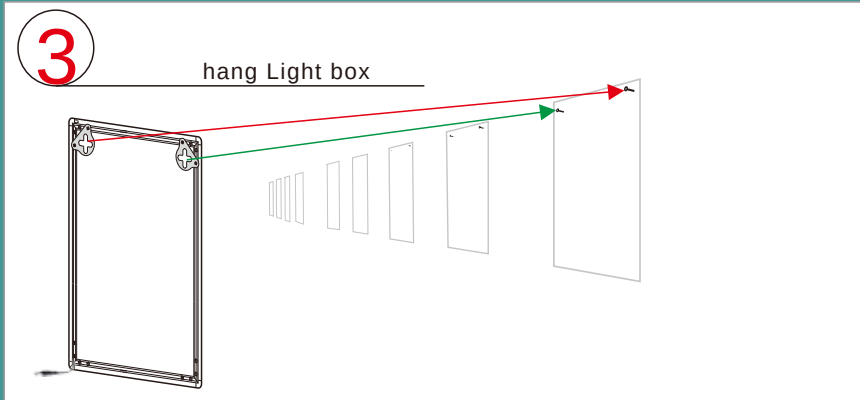
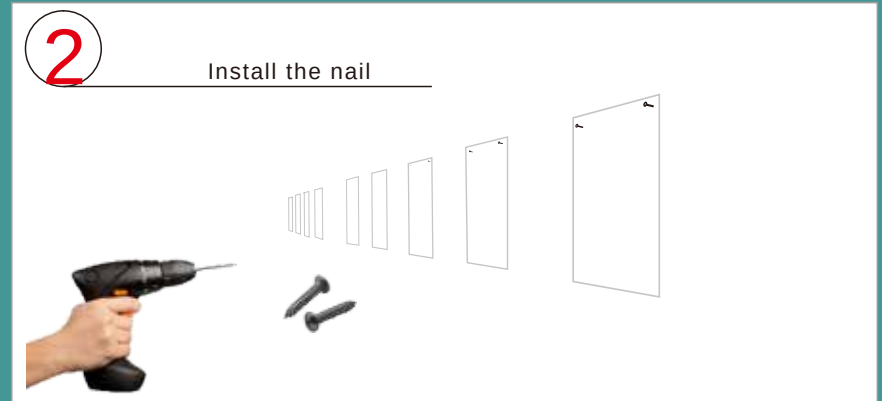
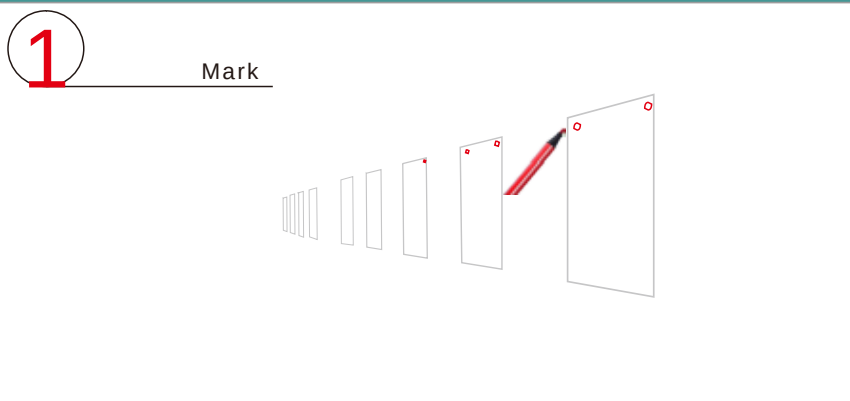


Standard size : A1、600mm*900mm
600mm*1200mm、750mm*1200mm

002 Product display

② Installation method

Wall mounted drawing light box



002 Product display

Wall mounted drawing light box

Standard size: A4、A3、A2、A1

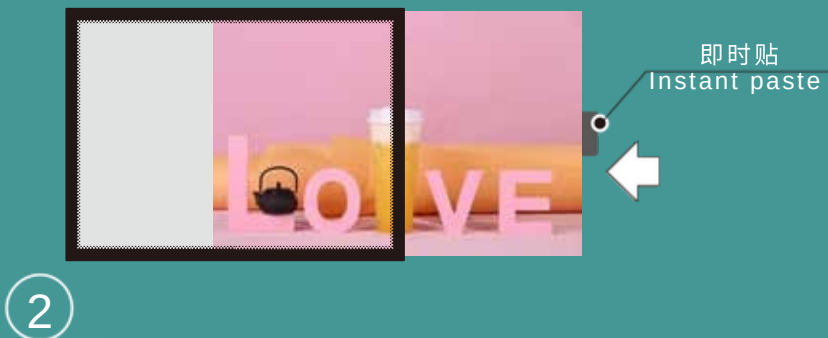
500mm*700mm

600mm*900mm

600mm*1200mm

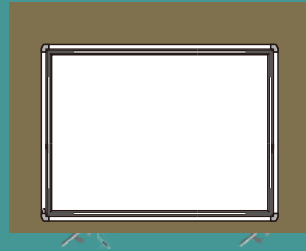
750mm*1200mm

③ Change painting method (Standard size)



02

Bar table



001 Application display

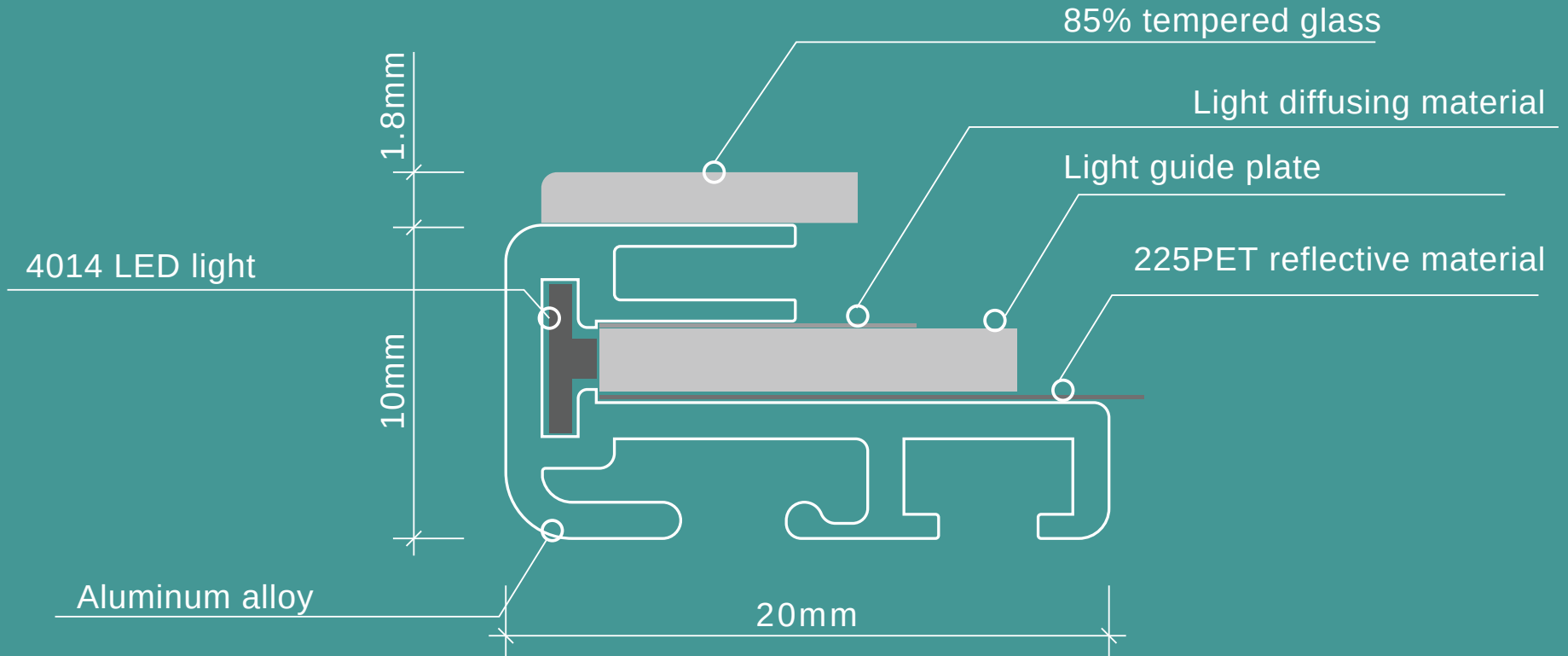
Bar table drawing light box



002 Product display

① Product structure

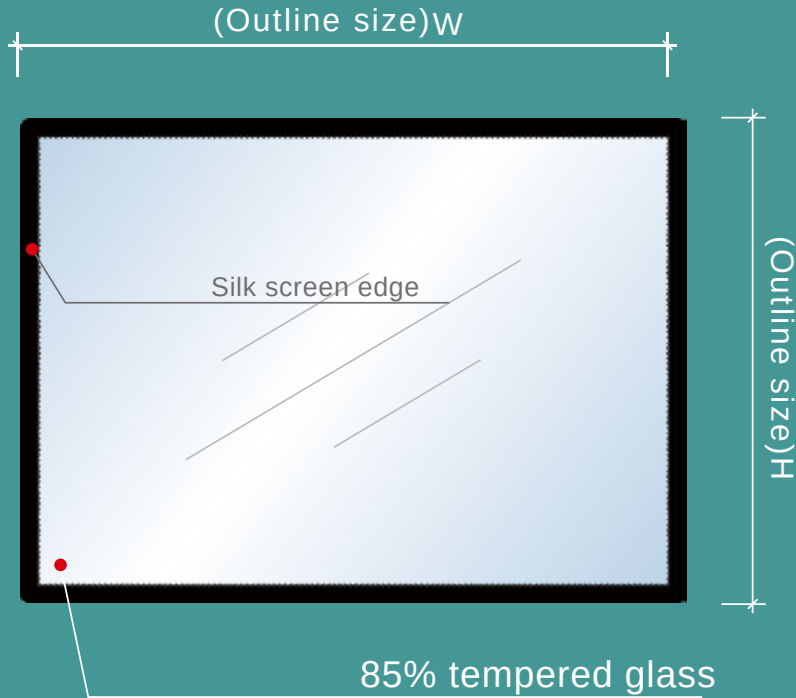
Bar table drawing light box



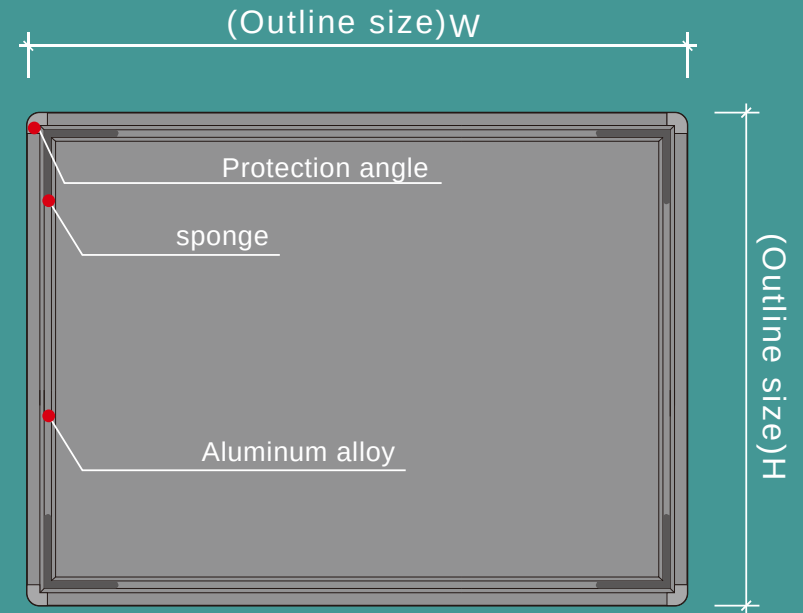
002 Product display

① Product structure

Bar table drawing light box



Positive display

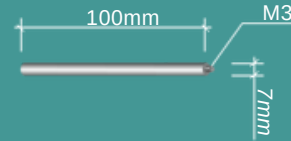
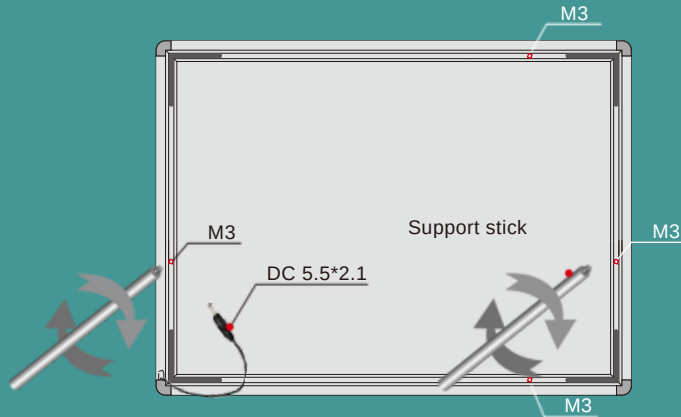


Back display

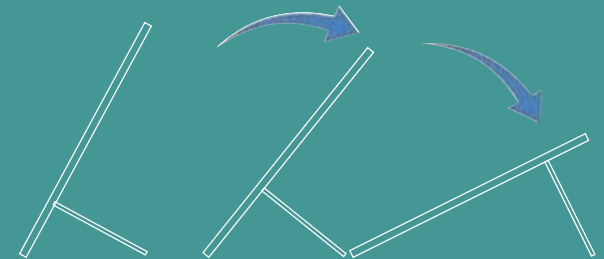
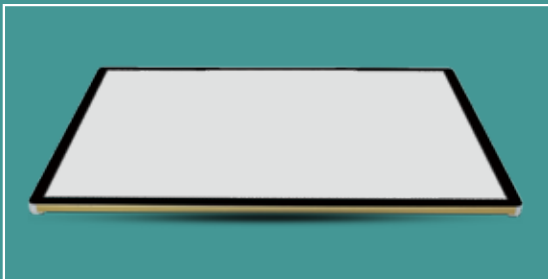
002 Product display

② Installation method

Bar table drawing light box



A4/A3



Angular rotation

002 Product display

Bar table drawing light box

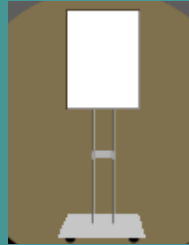
Standard size: A4、A3、A2

③ Change painting method (Standard size)



03

Floor standing



001 Application display

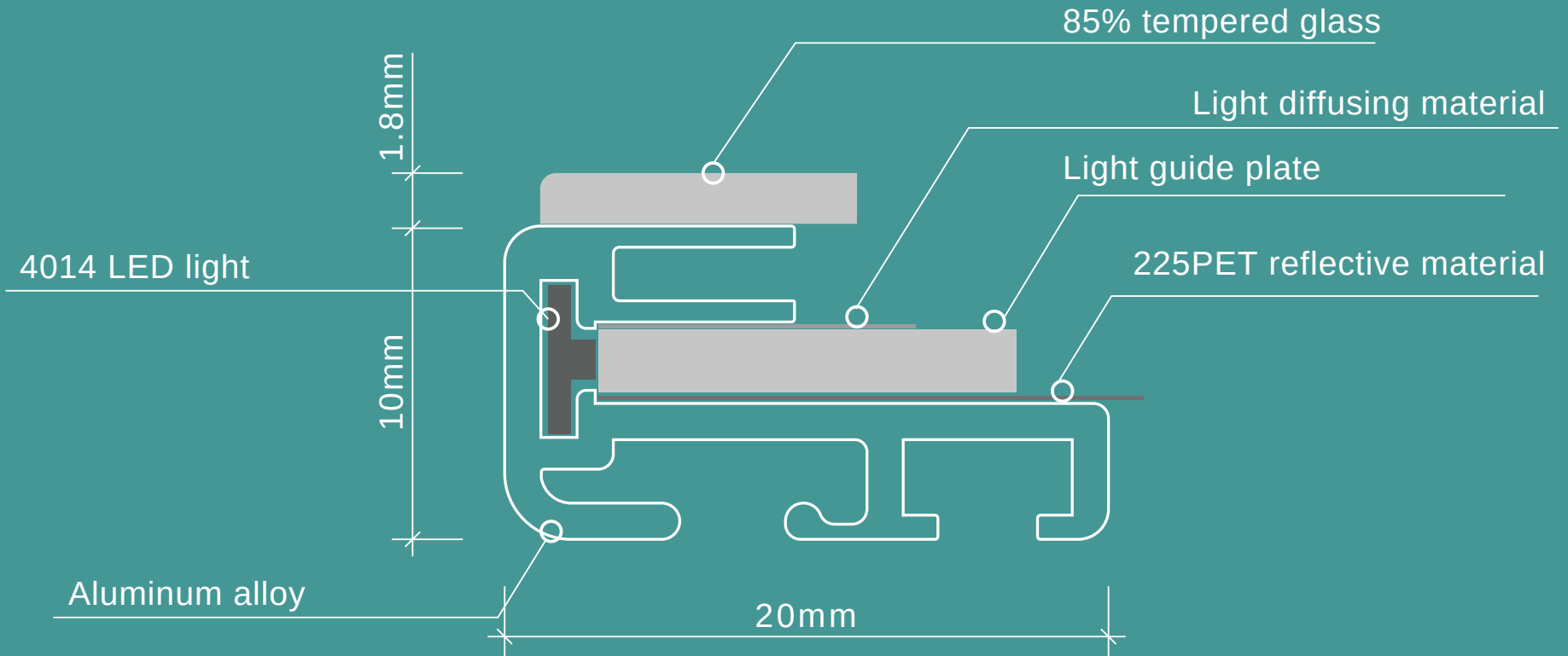
Floor type drawing light box



002 Product display

① Product structure

Floor type drawing light box



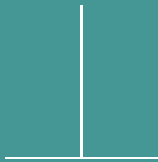
002 Product display

① Product structure

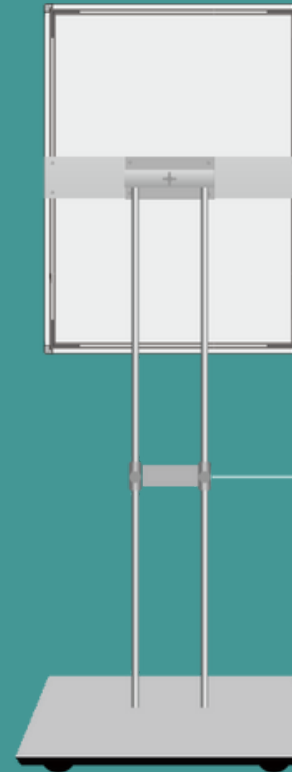
Floor type drawing light box



Height can be
900mm~1500mm
Adjustment between



Positive display



Angle adjustment

Height adjustment

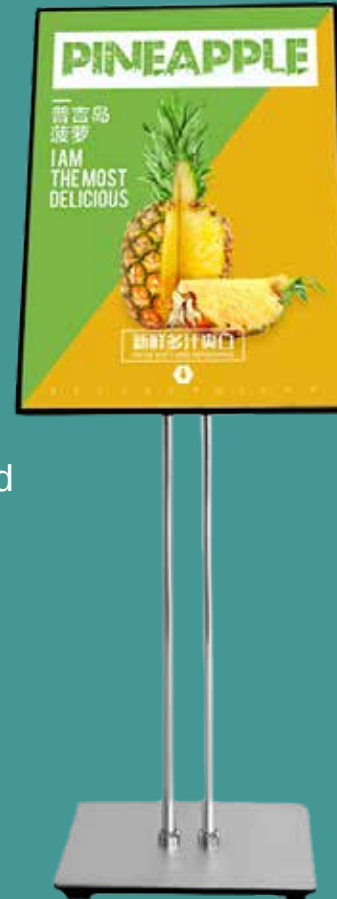
Suction cup
reinforcement

Back display

002 Product display

② Installation method

Floor type drawing light box



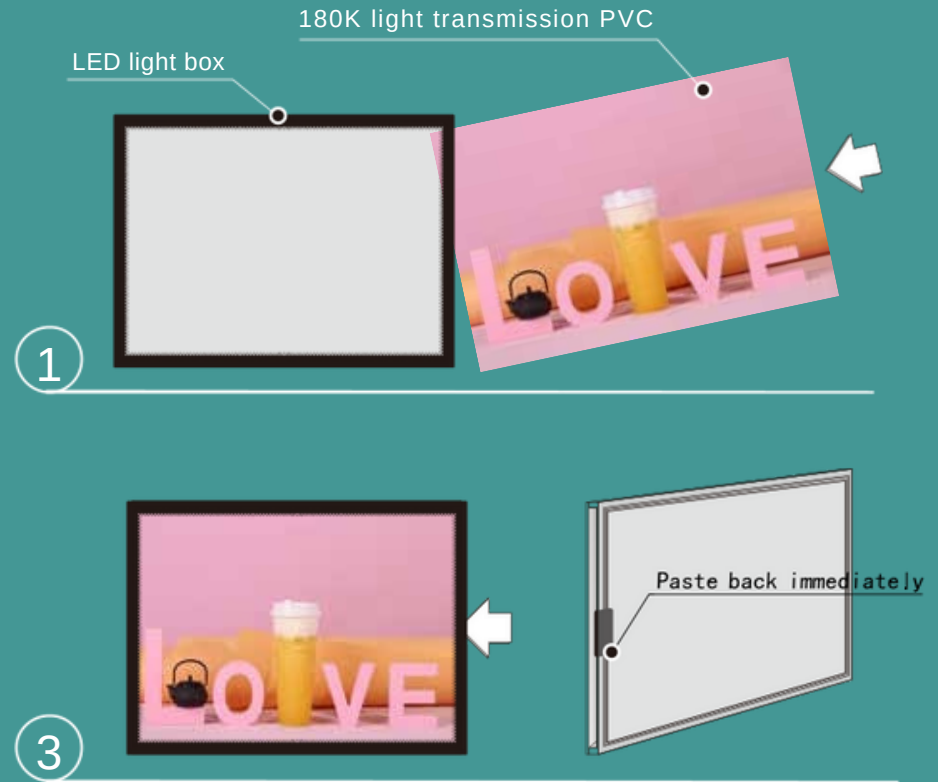
No complex installation required
Can be placed at will

002 Product display

③ Change painting method (Standard size)

Floor type drawing light box

Standard size : A2 、 A1 、
500mm*700mm 600mm*900mm



04

Standard size parameters



001 Big box packing parameters

Packing standard of whole carton

Product name	Product specifications	Picture size	Thickness of light box	colour	power	Adapter	Number of packages	Gross weight	Package size
Draw light box	A4 (225mm*304mm)	210mm*297mm	9mm	Black / Silver	8W	12V-1A	20pieces	11KG	420mm*370mm*320mm
	A3 (311mm*427mm)	297mm*420mm	9mm		9.5w	12V-1A	20pieces	21KG	490mm*420mm*400mm
	A2 (435mm*600mm)	420mm*594mm	9mm		13.5w	12V-1.5A	20pieces	40KG	660mm*420mm*530mm
	A1 (605mm*850mm)	594mm*841mm	11mm		25.8w	24V-1.5A	10pieces	43KG	980mm*420mm*670mm
	500mm*700mm	485mm*693mm	9mm		15.8w	12V-1.5A	10pieces	31KG	565mm*420mm*830mm
	600mm*900mm	589mm*895mm	11mm		27w	24V-1.5A	10pieces	45KG	980mm*430mm*700mm
	600mm*1200mm	589mm*1195mm	11mm		38.4w	24V-2A	10pieces	60KG	1280mm*430mm*700mm
	750mm*1200mm	739mm*1195mm	11mm		38.4w	24V-2A	10pieces	75KG	1280mm*430mm*850mm

002

Independent packaging parameters

Packaging standard of independent pearl cotton box + independent carton

Product name	Product specifications	Picture size	Thickness of light box	colour	power	Adapter	Number of packages	Gross weight	Package size
Draw light box	A4 (225mm*304mm)	210mm*297mm	9mm	Black / Silver	8w	12V-1A	1piece	1.15KG	325mm*480mm*75mm
	A3 (311mm*427mm)	297mm*420mm	9mm		9.5w	12V-1A	1piece	1.85KG	405mm*590mm*75mm
	A2 (435mm*600mm)	420mm*594mm	9mm		13.5w	12V-1.5A	1piece	3.15KG	525mm*770mm*75mm
	A1 (605mm*850mm)	594mm*841mm	11mm		25.8w	24V-1.5A	1piece	6.15KG	6710mm*1035mm*80mm
	500mm*700mm	485mm*693mm	9mm		15.8w	12V-1.5A	1piece	3.9KG	594mm*863mm*75mm
	600mm*900mm	589mm*895mm	11mm		27w	24V-1.5A	1piece	6.3KG	1040mm*690mm*80mm



LIGHT BOX

THANKS FOR COMING

Stay ture to the mission forward temper

